



Shut-off and control technology

Rötelmann-part-turn actuator



# Rötelmann-part-turn actuator-Industrial series RSI



With the launch of the RSI-series, Rötelmann GmbH is the first company worldwide to offer both valves for hydraulic systems as well as hydraulic part-turn actuators from in-house production.

Rötelmann GmbH looks back on decades of experience in hydraulic engineering.

The RSI-series are modular designed part-turn actuators, which can be perfectly integrated into any system. The main goal of the development was to offer a series product which brings the advantages of an individual solution.

The standard consists of three torque variants, which can be individually configured to a very high degree. In addition to the specifications of a part-turn actuator, which are derived from the corresponding standardization (DIN EN 15714-4), the RSI-series offers a multitude of additional possibilities. An infinitely adjustable initial position and the possibility to adjust the end position by  $\pm 10\%$  are basic properties. Another advantage of the concept is a large number of flange / connector combinations, optional end position damping, as well as a wide range of selectable pressure connectors. The three torque variants are available with flanges from F05 to F16 according to DIN EN ISO 5211. All standard coupling variants are available in various dimensions, the overview on page 7 shows all possible combinations. However the free combinability at the connection side brings additional flexibility. A comprehensive range of pressure sided modules is also available. An emergency hand pump as well as extensive switching options is self-evident. With a linear pressure / torque ratio, the drives can be used at any operating pressure up to 210bar. Due to the expansion of the portfolio, we are able to offer a part-turn actuator for all conceivable environmental conditions.

**DIN EN 15714-4 compliant**  
**Console for limit switch/position**  
**monitoring installation**

**Modular accessories:**  
 - Emergency actuator  
 - Switching block  
 - Multiblock

**Standardized**  
**connection flange**

**RSI-Drive:**  
 - RSI-250  
 - RSI-1000  
 - RSI-4000

**4 connector variants in total 19**  
**different versions per drive**

**2 flange variants according**  
**to DIN EN ISO 5211 available**

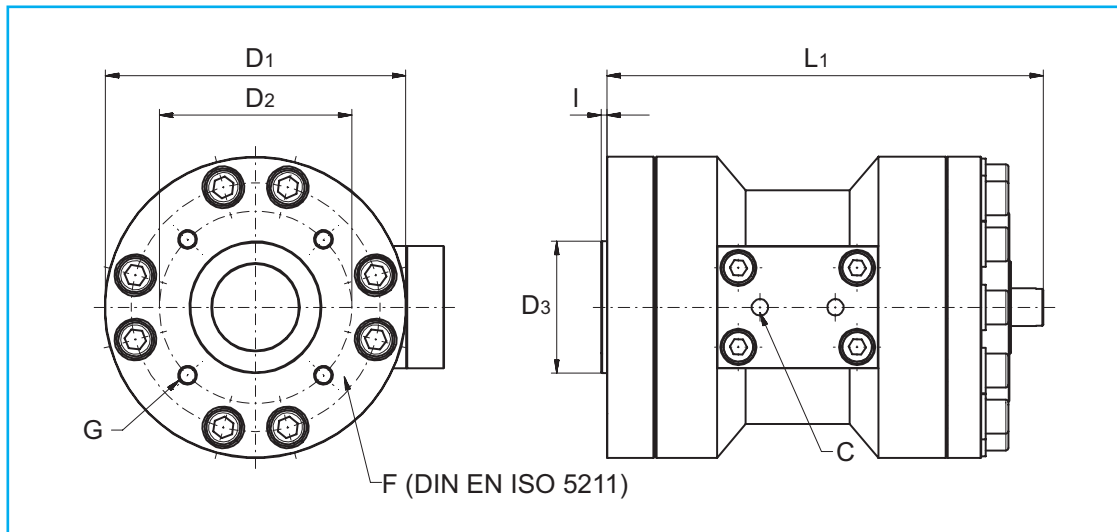
**Advantages:**

- Stepless adjustment of the basic position
- Total rotation angle adjustable by  $\pm 10\%$
- Available in steel castings, on request in stainless steel\*
- End position damping optionally available
- Emergency actuator as modular accessory
- Special flanges and couplings on request
- Individual connecting solutions on request

\* All material specifications refer to the housing material

# Rötelsmann-part-turn actuator-Industrial series RSI

Hydraulic part-turn actuator · DIN EN 15714-4

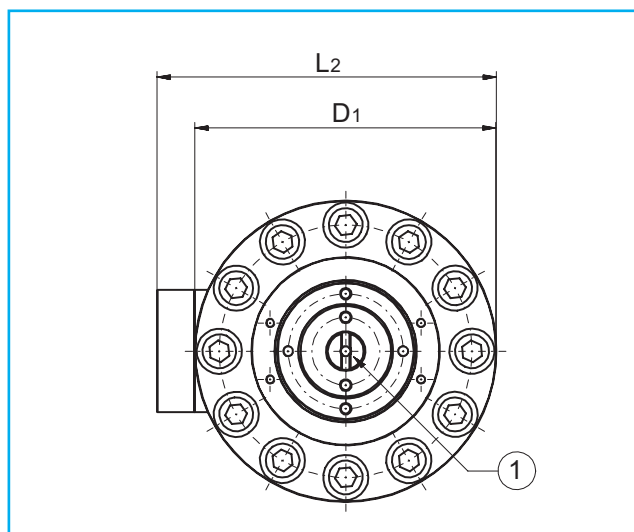


Illustrations exemplifying (technical changes reserved)

	<b>Torque</b>	<b>L<sub>1</sub></b>	<b>D<sub>1</sub></b>	<b>L<sub>2</sub></b>	<b>F DIN EN ISO 5211</b>
RSI-250	250	200	110	130	F05 or F07
RSI-1000	1000	230	160	180	F10 or F12
RSI-4000	4000	320	230	250	F14 or F16

Further possibilities and combinations see ordering example on the next page.

<b>Flange</b>	<b>Maximum torque</b>	<b>Pitch circle diameter D<sub>2</sub></b>	<b>Schaft dimension D<sub>3</sub> x l</b>
F05	125	50	35 x 3
F07	250	70	55 x 3
F10	500	102	70 x 3
F12	1000	125	85 x 3
F14	2000	140	100 x 4
F16	4000	165	130 x 5



1. The shaft version on the top corresponds to the specifications according to DIN EN 15714-4.

Appropriate consoles are available as accessories.

Dimensions in mm

Pressure in bar

Torque in Nm

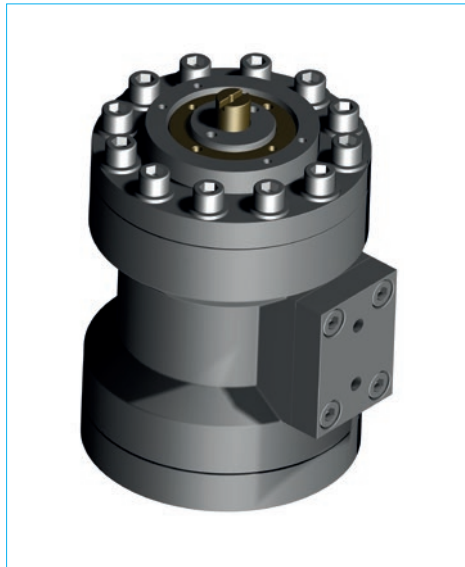
<b>C</b> <b>EN ISO 228-1</b>	<b>PN</b>	<b>Rotation angle</b>
G1/8 or G1/4	210	90° ±10%
G1/8 or G1/4	210	90° ±10%
G1/8 or G1/4	210	90° ±10%

<b>Thread</b> <b>G</b>	<b>Thread depth</b>
4 x M6	9
4 x M8	12
4 x M10	15
4 x M12	18
4 x M16	24
4 x M20	30



# Rötelsmann-part-turn actuator-Industrial series RSI

## Order example



**Order example:** RSI-01000-S-F12-L19-A-A-1-0

**Torque**

00250 = 250Nm  
01000 = 1000Nm  
04000 = 4000Nm

**Material\***

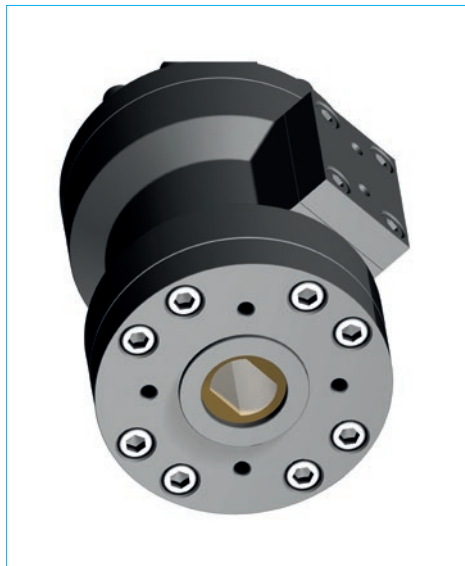
S = Steel  
G = Gast steel  
E = Stainless steel  
X = Custom material combination

**Flange**

F12 = F12 (standard designation)  
XXX = Custom solution

**Connector**

Also look for selection guide (connector)  
e.g.: L19 = 4sq. 19mm  
X00 = Custom solution\*\*



**Connecting thread**

A = G1/8 (DIN EN ISO 228-1)  
B = G1/4 (DIN EN ISO 228-1)  
X = Custom solution\*\*

**Accessory**

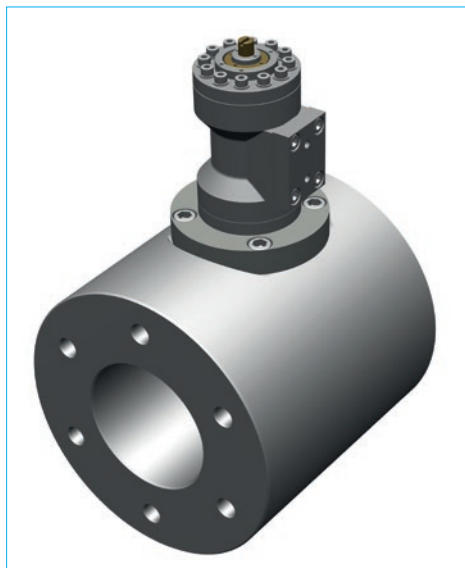
A = without accessory  
B = Emergency actuator (mechanical pump)  
U = Switching block  
D = Multiblock (combination of B and U)  
X = Custom solution

**End position damping**

0 = without end position damping  
1 = with end position damping

**Console\*\*\***

0 = without console  
1 = with console  
9 = Custom solution



\* All material specifications refer to the housing material

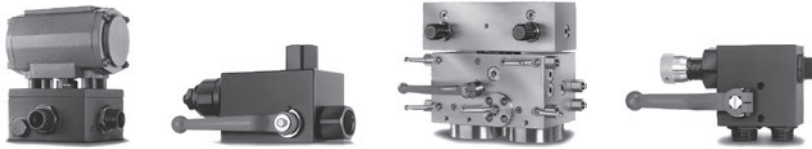
\*\* All conceivable connection threads and connection variants are available as connection nipples available (UNF, UNC, NPT, DIN 2353 light and scissorseries, metric thread, etc.).

\*\*\* The console is designed according to DIN EN 15714-4 with F05 flange according to DIN EN ISO 5211 supplied.

## Selection guide

Drive	RSI-250		RSI-1000		RSI-4000		
Flange	F05	F07	F10	F12	F14	F16	Connector
Square connector	9						L09
	11	11					L11
	14	14	14				L14
		17	17	17			L17
			19	19			L19
			22	22	22		L27
				27	27	27	L27
					36	36	L36
					46	L46	
Double-fold connector	9						H09
	11	11					H11
	14	14	14				H14
		17	17	17			H17
			19	19			H19
			22	22	22		H22
				27	27	27	H27
					36	36	H36
					46	H46	
Single keyway connector	12						V12
	14	14					V14
	18	18	18				V18
		22	22	22			V22
			28	28	28		V28
				36	36		V36
					42	42	V42
					48	48	V48
					50	V50	
					60	V60	
Double keyway connector	12						W12
	14	14					W14
	18	18	18				W18
		22	22	22			W22
			28	28	28		W28
				36	36		W36
					42	42	W42
					48	48	W48
					50	W50	
					60	W60	

\* Square connector Form-L implies Form-D



## Rötelmann GmbH

In der Lacke 10 · 58791 Werdohl

P.O. Box 1560 · 58775 Werdohl

Phone : +49 (0)23 92/91 91-0

Fax : +49 (0)23 92/91 91 -14

Email : [info@roetelmann.de](mailto:info@roetelmann.de)

URL : [www.roetelmann.de](http://www.roetelmann.de)